



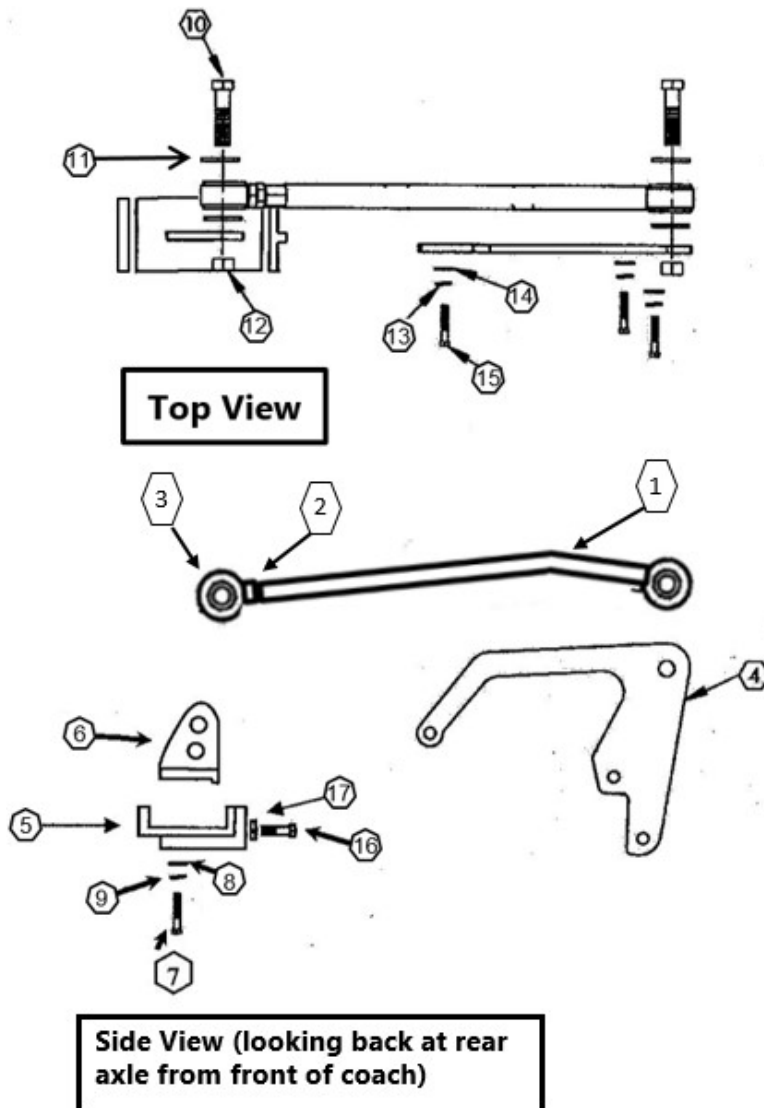
Installation Instructions for: SS525 Rear Trac Bar

This product is designed to eliminate side shift of the rear axle
for Ford F53 24,000 lb GVW Chassis
and Kodiak 26,000 lb GVW Chassis

Estimated installation time is 1.5 hours.

A qualified mechanic using normal automotive tools and following
all safety measures known should perform installation of this product.

SS525 Trac Bar Parts Layout



Item #	Description	Qty
1	SS400 Rod Assy	1
2	Jam Nut – 3/4" 16 UNF	1
3	Rod End Assy	1
4	SS519-4 Differential Bracket	1
5	B754 Frame Bracket	1
6	B763 Pinch Plate	1
7	5/8x 1-3/4" NF Bolts	2
8	5/8" Flat Washers	2
9	5/8" Lock Washers	2
10	3/4" x 3" 16 UNF Bolts	2
11	Flat washers – 3/4"	4
12	Top lock nut 3/4" 16 UNF	2
13	Lock Washer 16mm	3
14	Flat Washer 16mm	3
15	Bolt 16x55mm	3
16	1/2" x 1-3/4" NF Bolts	2
17	1/2" NF Jam-nut	2

Item #	Torque Spec (ft-lbs)
2	100-150
7	100
10	150-180
15	155-170
16	40

1. Preparation – Coach should be normally loaded

Move the coach to a level, flat surface. If necessary, drive the rear wheels of the coach onto 4” high blocks and set the brakes or drive the coach over a work pit and chock the front wheels. Block off adequate space at the rear of the coach to work.

2. Installation of the Differential Bracket

Note: Before installing the Differential Bracket, make sure the surface is flat and clean. If letters or numbers are stamped or raised on the differential, smooth them away to create a flat surface.

Hold the **SS519-4 Differential Bracket (Item 4)** up to the differential to locate the 3 OEM bolts. Remove the bolts and discard. If one of these bolts has a stud which supports the parking brake cable support bracket, simply remove the nut and brake cable bracket and then use a socket to remove the studed bolt. Discard the OEM bolts.

Swab the holes clean and dry. Apply Loctite to the three **16x55mm Bolts (Item 15)**. As shown in **Fig. A**, loosely install the Differential Bracket to the differential with the 55mm Bolts, **16mm Flat Washers (Item 14)**, and **16mm Lock Washers (Item 13)**.

If the parking brake cable bracket was removed, reinstall in the same location in front of the Differential Bracket using one of the new bolts with flat and lock washers, as seen in **Fig. A**. Differential Bracket will be against differential, followed by parking brake cable bracket, then the flat washer, lock washer and new 55mm bolt.



Torque bolts to 155-170 ft-lbs.

3. Installation of the Frame Bracket B-754 and Pinch Plate B-763

Install the **B-754 Frame Bracket (Item 5)** and **B-763 Pinch Plate (Item 6)** on the passenger side frame rail as shown in **Fig. A and B**. The frame must be between the Pinch Plate and the Frame Bracket. The Frame Bracket is designed to mount to the bottom and sides of the frame rail. Position the Frame Bracket below the frame rail on the passenger side in line with the Differential Bracket.

Align slotted holes in Frame Bracket with threaded holes in Pinch Plate. (Place the Pinch Plate with lip facing down and towards center of vehicle). Install (2) **5/8x 1 3/4” NF Bolts (Item 7)**, (2) **5/8” Flat Washers (Item 8)** & (2) **5/8” Lock Washers (Item 9)**. (Use Loctite and tighten “just snug” for now)

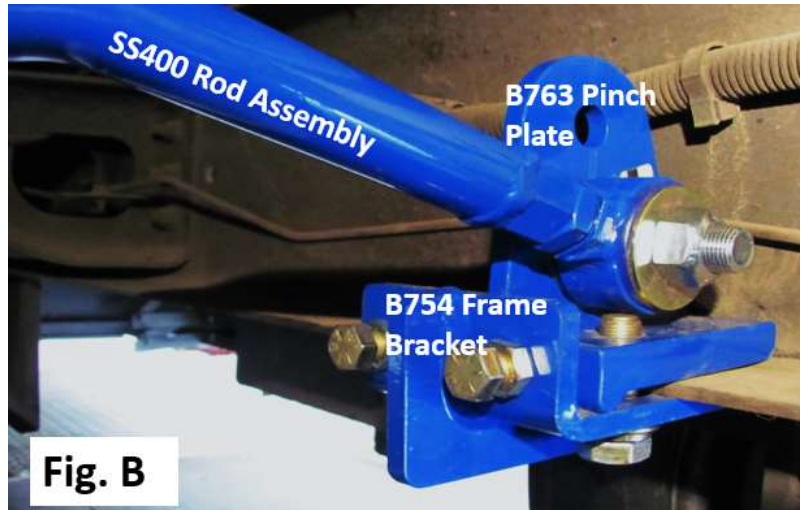
Note: Make sure not to contact any wires, brake lines, etc. This kit also includes zip ties and flexible plastic conduit should coach wiring need to be moved and/or shielded.

Revised 24 April 2023

Use the **SS400 Rod Assembly (Items 1 through 3)** to check alignment from Differential Plate to Frame Bracket. Adjust forward or back.

Note: Rod Assembly may be installed on the front or back of the brackets to achieve best clearance without interfering with existing hardware, such as factory bump stop.

Next install the $\frac{1}{2}$ " **NF Jam-nuts (Item 17)** onto the $\frac{1}{2}$ " x $1\text{-}3/4$ " **NF Bolts (Item 16)** and install in the Frame Bracket. Tighten to push the Pinch Plate against the inside of the frame (approximately 40 ft-lbs), then tighten the $5/8$ x $1\text{-}3/4$ " **NF Bolts** to 100 ft-lbs. Now tighten the Jam-nuts against the Frame Bracket to lock the $\frac{1}{2}$ " x $1\text{-}3/4$ " **NF Bolts** into place.



4. Installation of Rod Assembly

Install the Rod Assembly with the $3/4$ " x 3" **16 UNF Bolts (Item 10)**, $3/4$ " **Flat Washers (Item 11)** and $3/4$ " **Top Lock-nuts (Item 12)**. Be sure that there is a flat washer on both sides of the urethane bushings of the Rod End. When adjusting the length of the rod, it is necessary that the coach's full weight be on the suspension.

Note: Either of the two $3/4$ " holes in the Pinch Plate may be used. Use the one which provides the most level installation of the Rod Assembly at normal ride height, while still allowing clearance for the Rod to articulate with the suspension.

Tighten the $3/4$ " x 3" bolt and nut on the **Differential Bracket** and on the **Frame Bracket** to 150-180 ft-lbs. Lastly, tighten the **Jam Nut – $3/4$ " 16 UNF (Item 2)** on the Rod Assembly to 100-150 ft-lbs.

5. Final Instructions

Double-check the fasteners to make sure all are properly torqued. Test drive. Re-check torque in 6 months.

Please make sure to visit **SuperSteerParts.com** and fill out your warranty registration.

Your comments are greatly appreciated. Please feel free to contact SuperSteer® at 888-898-3281 or e-mail at sales@supersteerparts.com

LIMITED LIFETIME SUPERSTEER WARRANTY

1. WARRANTY

1a. WARRANTY OF CONFORMITY AT TIME OF SALE

SUPERSTEER warrants that at the time of sale of this product it will be free from defects in material and manufacture and will conform to SUPERSTEER'S specifications for the product.

1b. CONDITIONAL LIMITED LIFETIME WARRANTY

In addition to the preceding time-of-sale warranty, if the product registration card is completely and accurately filled out and mailed to SUPERSTEER within thirty (30) days of purchase, SUPERSTEER will provide a Limited Lifetime warranty after sale the product will remain in good working order, PROVIDED THAT the product is installed and maintained in accordance with SUPERSTEER'S instructions and is not subjected to: (a) alteration or unauthorized repairs or repairs by anyone other than SUPERSTEER or a SUPERSTEER -authorized service center, (b) misuse, abuse, commercial use, or improper maintenance, (c) Acts of God (including without limitation hurricanes, tornadoes, floods, or other severe weather or natural phenomena), (d) failures due to products not supplied by SUPERSTEER, or (e) other treatments, uses, or installations for which the product was not intended. This warranty extends only to the first retail purchaser-consumer of the product and is not transferable.

EXTENDED WARRANTY PERIOD: If SUPERSTEER receives the product registration card, completely and accurately filled out, within twenty (20) days of purchase, SUPERSTEER will enlarge the one-year warranty period in the preceding paragraph to a period of two years.

2. DISCLAIMER OF OTHER WARRANTIES

The preceding warranties are the exclusive and sole express warranties given by SUPERSTEER. They supersede any prior, contrary or additional representations, whether oral or written. No agent, representative, dealer or employee has the authority to alter or increase the obligations or limitations of this warranty. Any implied warranties, including the WARRANTY OF MERCHANTABILITY and any WARRANTY OF FITNESS FOR A PARTICULAR PURPOSE, are limited in duration to thirty days or the term of the applicable express warranty provided above, whichever is longer. Some states do not allow limitations on how long an implied warranty lasts, so the above limitation may not apply to you.

3. EXCLUSIVE REMEDY FOR ANY NONCONFORMITIES

If during the applicable Warranty Period, the product does not conform to the preceding Warranties, notify SUPERSTEER as provided below, and within a reasonable time SUPERSTEER will provide, at its option, one of the following: (1) replacement components for any nonconforming or defective product or components or (2) the percentage of the purchase price for the nonconforming product equal to the percentage of the Warranty Period remaining when SUPERSTEER is notified of the nonconformity. SUPERSTEER will, at its option, (a) use new and/or reconditioned parts in performing warranty repairs and making replacement products, (b) use parts or products of original or improved design in the repair or replacement. If SUPERSTEER repairs or replaces a product, its warranty continues for the remaining portion of the original Warranty Period or 60 days from the date of the return shipment to the customer, whichever is greater. All replaced products and all parts removed from repaired products become the property of SUPERSTEER. SUPERSTEER will not provide, and will not be liable for, labor, costs of removal or reinstallation of components, disposal, shipping, freight, taxes, or other incidental charges.

4. DISCLAIMER OF INCIDENTAL AND CONSEQUENTIAL DAMAGES

For any breach of warranty, the Owner must telephone SUPERSTEER at 1-888-898-3281 within thirty (30) days after discovering the nonconformity. Do not return any product without first calling SUPERSTEER and getting a return authorization number. Returned products must include the return authorization number and a copy of the original invoice, bill or other proof of the date of purchase. The date of purchase must coincide with the original warranty registration card on file. SUPERSTEER will authorize (a) shipment of the product to SUPERSTEER or (b) repair or replacement at the nearest warranty service center—in both cases with shipping at your expense. Do not purchase replacement parts or pay for repair labor—you will not be reimbursed. Compliance with the requirements of this paragraph is a condition to coverage under the Warranty: if these requirements are not complied with, SUPERSTEER will have no obligation to provide any remedy for any breach of warranty.

4. DISCLAIMER OF INCIDENTAL AND CONSEQUENTIAL DAMAGES

IN NO EVENT SHALL SUPERSTEER BE LIABLE FOR ANY INCIDENTAL, SPECIAL, INDIRECT OR CONSEQUENTIAL DAMAGES, WHETHER RESULTING FROM NONDELIVERY OR FROM THE USE, MISUSE OR INABILITY TO USE THE PRODUCT OR FROM DEFECTS IN THE PRODUCT.

Some states do not allow the exclusion or limitation of incidental or consequential damages, so the above limitation may not apply to you.

5. APPLICABLE LAW

This Warranty will be interpreted, construed, and enforced in all respects in accordance with the laws of the State of Oregon, without reference to its choice of law rules. The U.N. Convention on Contracts for the International Sale of Goods will not apply to this Warranty.

6. SEVERABILITY

If any provision of this warranty is found to be invalid or unenforceable, then the remainder shall have full force and effect, and the invalid provision shall be partially enforced to the maximum extent permitted by law to effectuate the purpose of the agreement.

7. ADDRESS FOR NOTICES TO SUPERSTEER

SuperSteer, 458 Redwood Hwy, Grants Pass Oregon 97527

This warranty gives you specific legal rights, and you may also have other rights which vary from State to State.